

OTHER POSSIBLE  
CONFIGURATIONS USING  
SLOT JOINT

Issue		
1	REVIEW	2023.10.29

Revision

Project

SAGE Project  
Museum of Vancouver  
Modular Design Concepts

SCALE  
AS NOTED

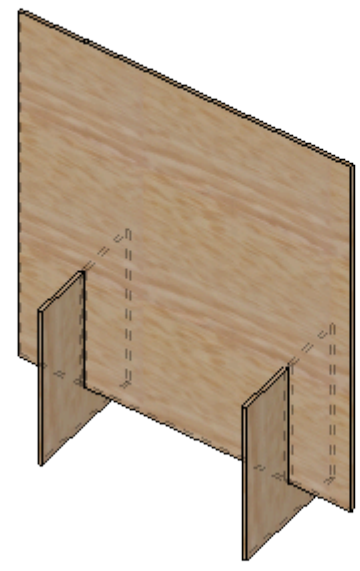
DATE  
29.OCT.2023

DRAWN  
ML

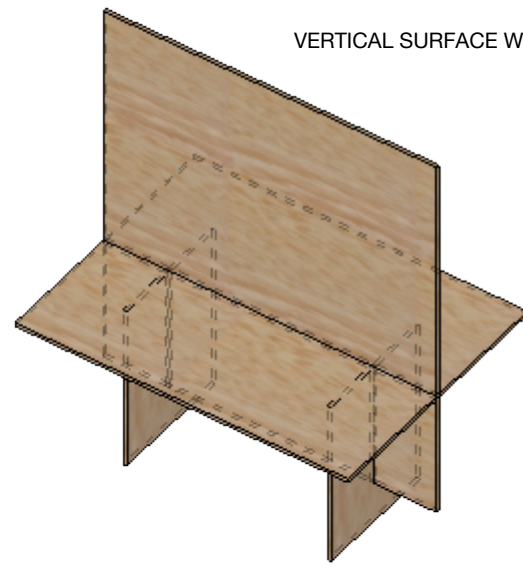
CHECKED  
ML

PROTOTYPE

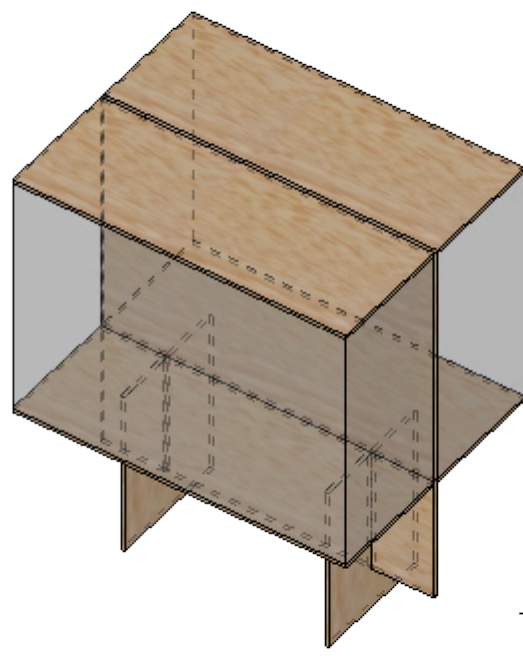
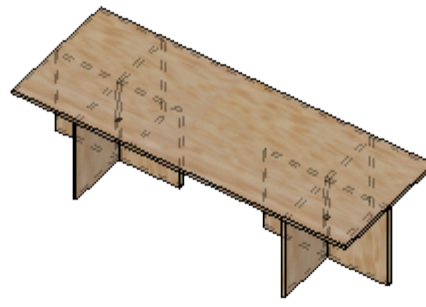
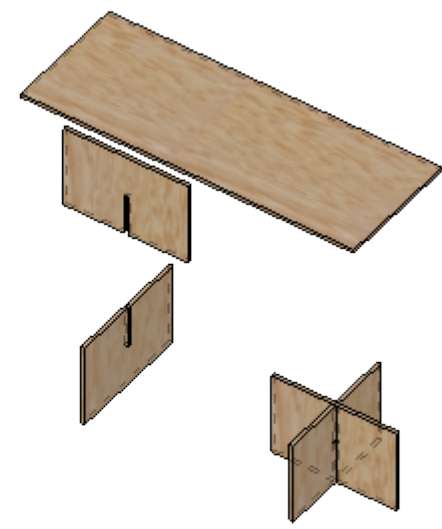
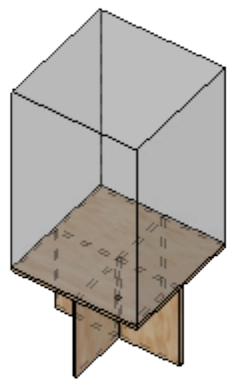
VERTICAL SURFACE



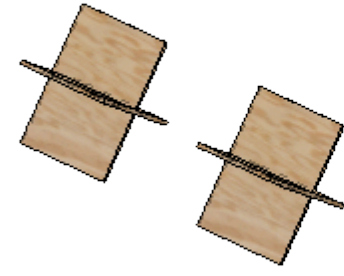
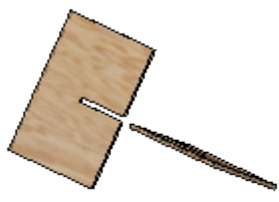
VERTICAL SURFACE WITH TABLE



BENCH



TWO SIDED VITRINE



X-CONFIGURATION

\_\_\_\_\_